



Electric Boilerless Tabletop Combi  
with Touchscreen Control for Marine Applications

# BLCT-6E-M

**The optimal choice when size matters.** The BLCT-6E-M mini combi is a completely unique oven size on the market. With a width of only 20.2" it can fit into even the smallest kitchens.

**USPH Approved & Built for Life at Sea** - the BLCT-6E-M is designed for the special needs of marine applications. Our strong door spring prevents the door from slamming or opening in rough seas.

**It is small but effective.** Despite its small size, the BLCT-6E mini combi has the same features as a large combi oven. In other words, it has all the features you need in a smaller kitchen.

**Cook the way you want** - the Blodgett Combi touchscreen control lets you choose which kind of chef you want to be. You can cook manually and easily fine-tune your settings. Use pre-programmed recipes to ensure consistent results every time. Or use the SmartChef feature which automatically selects the optimum settings for an effortless cooking process.



## CAPACITY

- ❑ Standard 2 piece rack that holds five 12" x 20" x 2" deep or four 12" x 20" x 2-1/2" deep North American hotel pans or six half size sheet pans

## STANDARD FEATURES

- Internal core temperature probe with multiple measuring points.
- Bright halogen lights for superior visibility
- Detachable hand shower
- 5 wire shelves
- Left door hinge, field reversible
- One year parts and labor global oven warranty
- Virtual start-up and warranty registration online

[www.blodgett-combi.com](http://www.blodgett-combi.com)

42 Allen Martin Drive, Essex Junction, VT 05452 • Phone: (802) 658-6600 • Fax: (802) 864-0183

P/N 63164 Rev E (3/21)

## OPTIONS & ACCESSORIES

### (AT ADDITIONAL CHARGE)

- Extra wire oven racks
- Optional stand
- Backflow preventer
- Extra year warranty
- Start-up inspection service by factory authorized service agent

## CONSTRUCTION

- 430 stainless steel sides, top and back
- 304 stainless steel bottom, door and interior
- Stainless steel door spring to prevent door from swinging open during rough seas
- Reinforced fan baffle
- Marine compliant fasteners
- Dual pane tempered viewing window with hinged inner glass for easy cleaning
- 1.57" (40mm) fixed drain in the bottom center of cavity
- Drip tray mounted below the door reduces the risk of wet, slippery floors
- CTD Cool Touch Door
- Oven door with ventilated heat-reflecting glass
- Strong spring prevents the door from slamming or opening in rough seas
- Two step safety door latch. The first step stops the fan.

## OVEN OPERATION

- Injection steam system - water is precisely injected onto the heating elements, the resulting steam is distributed in the oven chamber by the fan wheel.
- Easy to use touchscreen control stores up to 500 recipes with up to 15 steps each
- Multiple cooking modes include hot air, CombiSmart, retherm, steaming, low-temperature steaming, forced steaming, proofing, preheating
- CombiOptima automatically measures and controls the humidity level in the oven
- SmartChef automatic cooking provides presets for grilling, steaming, braising, browning and breaded products. Select your desired cooking result from rare to well done, and your surface appearance from light to dark.
- Manual or automatic cooling
- Automatic humidity pulsing
- Timed steam injection or instant steam on demand at any point in the cook cycle
- Rack timing for setting individual timers for each rack
- Advanced rack timing for managing multiple recipes of the same group simultaneously on separate racks, including managing recipes to finish cooking at the same time
- Reversible 9 speed fan for optimum baking and roasting results
- Programmable vent release allows for automatic venting if desired
- USB port for data and recipe transfer
- HACCP recording and documentation
- Automated CombiWash system features very low water and detergent consumption and no contact with chemicals. No proprietary chemicals required, see owner's manual for detergent guidelines.



## POWER SUPPLY

VOLTAGE	KW	PHASE	AMPERAGE
208	6.9	1NAC/2AC	33.2 amp
230	8.4	1NAC/2AC	36.5 amp
240	9.2	1NAC/2AC	39 amp
208	6.9	3AC	19.2 amp
230	8.4	3AC	21.1 amp
240	9.2	3AC	24 amp
440	6.9	2AC	15.7 amp
480	8.2	2AC	19 amp

**SHORT FORM SPECIFICATIONS:** Provide Blodgett Combi model BLCT-6E mini boilerless combination-oven/steamer. The BLCT-6E-M has a 2 piece rack system that holds five 12" x 20" x 2" deep or four 12" x 20" x 2-1/2" deep North American hotel pans.

Unit has a stainless steel exterior and interior. Oven door has a dual pane tempered viewing window with hinged inner glass for easy cleaning. Stainless steel spring prevents doors from opening in rough seas. Includes reinforced fan baffle and marine compliant fasteners. Includes a detachable hand shower and separate water lines. Unit shall have bright halogen lights for superior visibility, and an internal core temperature probe with multiple measuring points. Oven has two separate water lines for cooking and quench. You may choose to cook with pressureless steam, hot air, or combination of steam and hot air.

The touchscreen control stores 500 recipes with 15 stages each, in addition to pre-programmed recipes. Multiple modes include hot air, combi, retherming, steaming, low-temperature steaming, forced steaming, proofing, cooling, and preheating. CombiOptima automatically measures and controls the humidity level in the oven. The control allows for timed steam injection or instant steam on demand at any point in the cook cycle. Rack timing provides individual timers for each rack. Advanced rack timing allows for timing multiple recipes of the same group simultaneously on separate racks of the oven. Use SmartChef automatic cooking presets for grilling, steaming, braising, browning and breaded products. HACCP quality control, USB connectivity and automatic service diagnosis are included. Programmable vent release allows for automatic venting if desired. The reversible 9 speed fan provides optimum baking and roasting results. The automated combi wash system features very low water and detergent consumption and no contact with chemicals.

Includes one-year parts and labor warranty. Provide start-up inspection service by a factory authorized service agent. Provide options and accessories as indicated.

*NOTE: The company reserves the right to make substitutions of components without prior notice.*

VOLTAGE	KW	PHASE	AMPERAGE
400	8.4	3AC or 3NAC	12.1 amp
415	9.2	3AC or 3NAC	12.8 amp
400	8.4	2AC	21 amp
415	9.2	2AC	20 amp

50/60 hz field convertible

Three phase units equipped with cord and NEMA 15-30P plug. Single phase units equipped with cord and NEMA 6-50P plug.

This appliance uses a variable frequency drive, which can be known to product high frequency electrical noise. In some cases units must be hard wired. This avoids false positives on ground fault devices susceptible to errors from electrical noise. All installations must comply with local and national codes.

## WATER SUPPLY

Good quality water feed is the responsibility of the owner. Water quality must be within the following general guidelines.

TDS: 40-125 ppm

pH: 7.0-8.5

Hardness: 35-180 ppm

Silica: <13 ppm

Chloramine: <0.2 ppm

Chlorine: <0.2 ppm

Chlorides: <25 ppm

The best defense against poor water quality is a water treatment system designed to meet your water quality conditions. Blodgett offers optional water treatment systems.

### Pressure

- 40 (min)-50 (max) PSI

### Connections

- 2" drain connection - max. drain temperature 140°F (60°C)
- 3/4" garden hose and metric cold water connection included

## DRAIN

The drain piping must consist of temperature resistant material, greater than 160°F, and be of adequate diameter not to cause flow restriction. Improper materials may deform and cause restrictions, thus affecting performance.

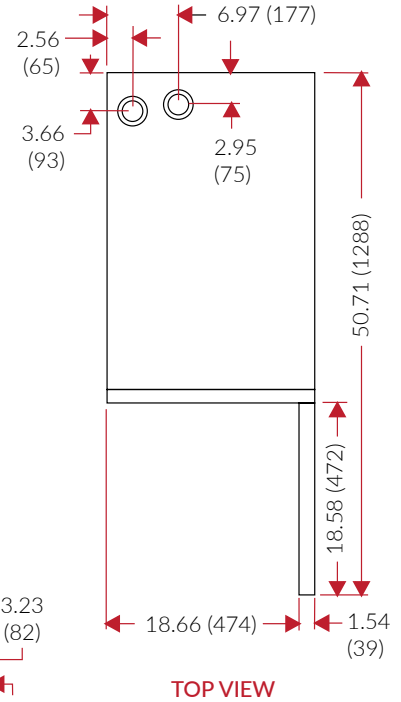
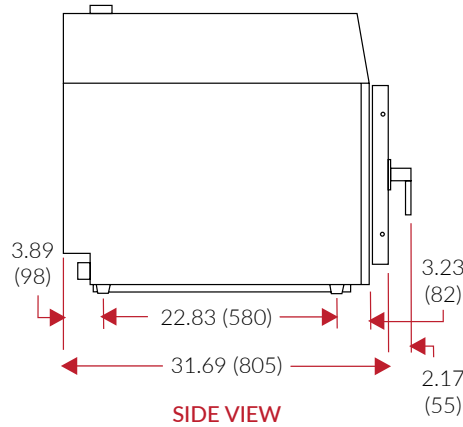
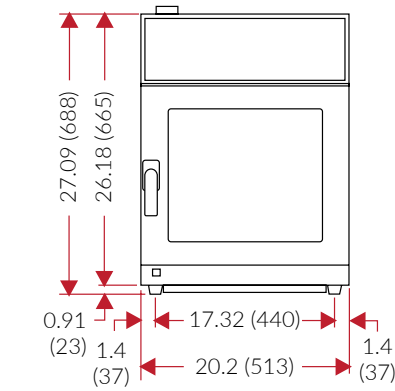
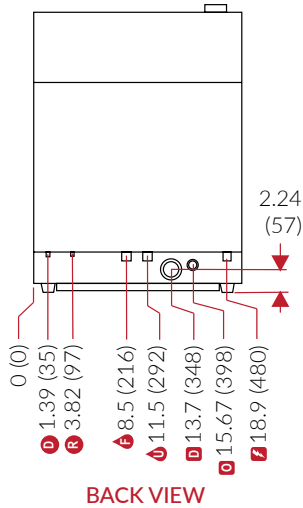
Appliance is to be installed with backflow protection in accordance with federal, state or local codes.



DIMENSIONS ARE IN INCHES (MM)

**LEGEND**

- DETERGENT
- RINSE AID
- FILTERED WATER
- UNFILTERED WATER
- DRAIN
- DRAIN OVERFLOW
- ELECTRICAL



**SHIPPING**

**CRATED WEIGHT**

205 lbs (93 kg)

**CRATE SIZE**

35.43" H x 22.05" W x 37.01" D  
(900 mm x 560 mm x 940 mm)

**DIMENSIONS & CLEARANCES**

**FLOOR SPACE**

32.13" x 20.2" (816 x 513mm)

**UNIT HEIGHT**

30.18" (718mm)

**MINIMUM ENTRY CLEARANCES**

Uncrated 20.2" (513mm)

Crated 22.05" (560mm)

**OVEN INSTALLATION CLEARANCE REQUIREMENTS**

Kitchen Environment	Low temp.	High temp.*
Left Side & Back	2" (50mm)	2" (50mm)
Right (control) Side	2" (50mm)	16" (400mm)

\* includes heat sources (fryers, hot plates, etc) placed on the control side of the combi

For servicing, Blodgett recommends maintaining at least 16" (400 mm) between the control side and walls or non moveable equipment.

