

61 Series Cart

The Blodgett transport cart is a practical way to improve the work flow in your kitchen. Transport carts make it easy to move loaded cassette racks or plate racks into and out of the combi, to cold storage or to the serving area. Transport carts also ensure ergonomically correct loading and unloading of the oven.

The transport cart stays outside the oven during the cooking process so it can be used for more than one oven increasing productivity. Transport carts can be nested together to take up less storage space and or can slide under the side of the oven(s) out of the way of general kitchen traffic.

The transport cart works with either the optional cassette rack to hold pans or the optional plate rack for plated meals. Choose from either 2.56" (65 mm) spacing or 3.35" (85 mm) spacing. The use of either a cassette or plate rack also requires the use of the optional rack support platform to ensure correct rack placement in the oven.



CAPACITY

- ❑ Cassette rack with 2.56" (65mm) spacing holds six 12" x 20" x 2" deep Gastronorm pans
- ❑ Cassette rack with 3.35" (85mm) spacing holds five 12" x 20" x 2-1/2" deep North American hotel pans
- ❑ Plate rack with 2.56" (65mm) spacing holds twenty 10" diameter plates
- ❑ Plate rack with 3.35" (85mm) spacing holds seventeen 10" diameter plates

STANDARD FEATURES

- Stainless steel construction
- Four heavy duty casters with two locking casters
- Capable of being hosed down for easy cleaning
- Increases production capacity

OPTIONS & ACCESSORIES

(AT ADDITIONAL CHARGE)

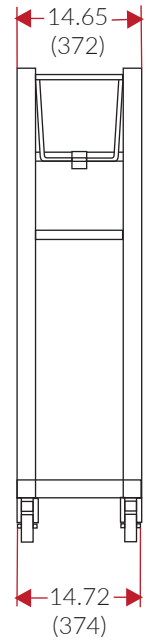
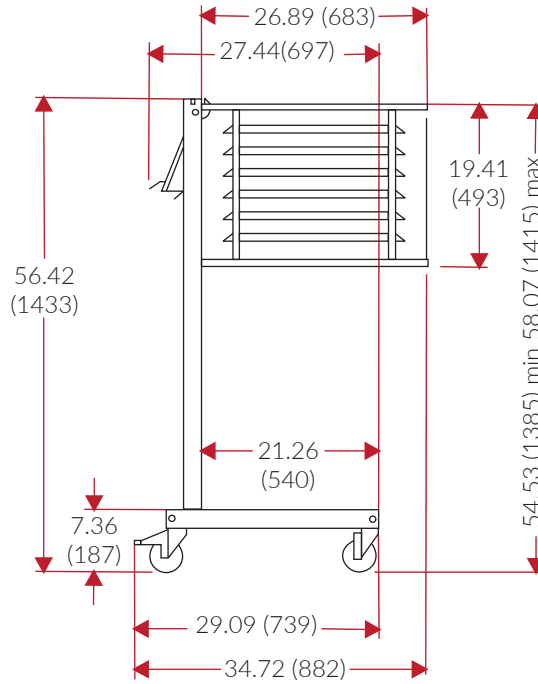
■ Cassette Racks

- Cassette rack with 2.56" (65mm) spacing
- Cassette rack with 3.35" (85mm) spacing

■ Plate Racks

- Plate rack with 2.56" (65mm) spacing
- Plate rack with 3.35" (85mm) spacing
- Rack support platform ensures correct rack placement within the oven
- Thermal blanket to keep food hot before serving

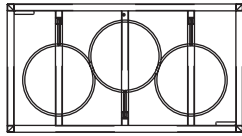
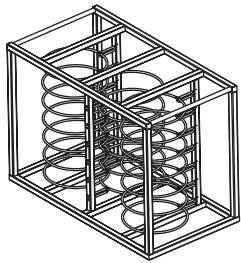
DIMENSIONS ARE IN INCHES (MM)



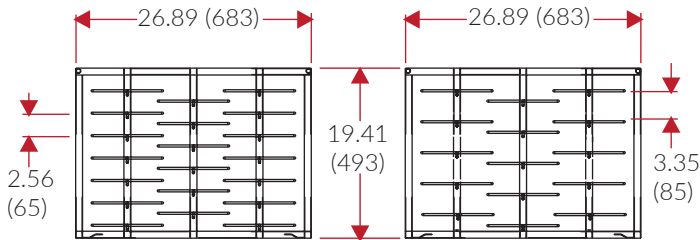
SIDE VIEW

END VIEW

TRANSPORT CART (Shown with Cassette Rack)



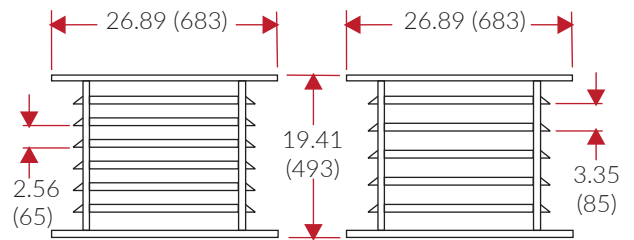
TOP VIEW



SIDE VIEW
Plate Rack with
2.56" (65mm) spacing

SIDE VIEW
Plate Rack with
3.35" (85mm) spacing

PLATE RACKS



SIDE VIEW
Cassette Rack with
2.56" (65mm) spacing

SIDE VIEW
Cassette Rack with
3.35" (85mm) spacing

CASSETTE RACKS

